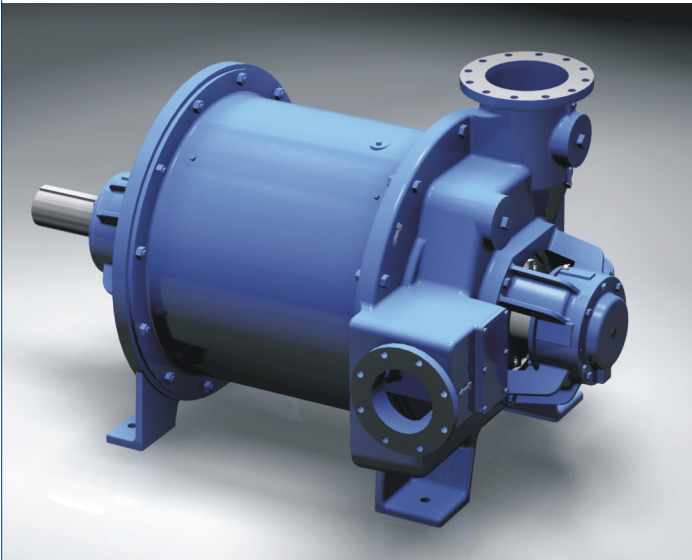


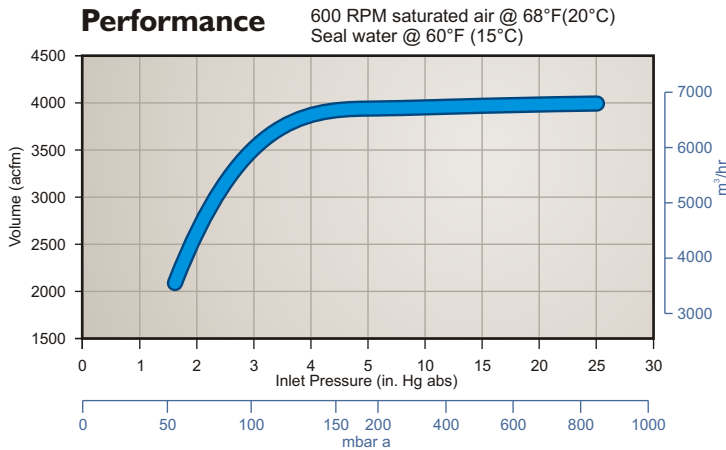
# Vectra XL 750 Liquid Ring Vacuum Pump & Compressor



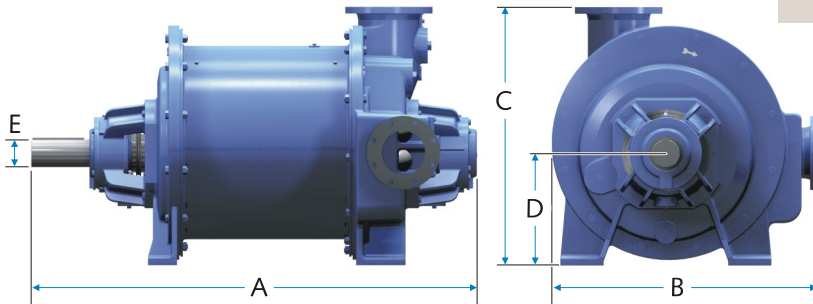
Vectra XL vacuum pumps and compressors are created to meet exacting performance and design standards.

They combine the highest standard of reliability with a new level of ingenuity. Gardner Denver Nash employs advanced design technologies to achieve optimum performance and unprecedented production efficiencies.

Production efficiencies ultimately passed on to our customers in the form of unique value and unequalled performance.



Features	Benefits
Compact design	Less floor space required
External mechanical seals	Flexibility & ease of maintenance
Universal stuffing box	Accepts variety of mech. seals
Global product design	Wide range of direct drive speeds
Extended pressure ratings	Ability to handle tough applications where back pressure is required
Conical design	Better ability to handle water/particulate slugs
One moving part	Long term reliability
Variable port design	High efficiency
Lobe purges	Reduce erosion wear
NASH patented Gas Scavenging	Increased performance at high vacuum levels
Available in Ductile Iron and 316L S/S	Material flexibility
Optimum design using finite element analysis	Improved efficiency, performance and value
100% performance tested	Trouble-free start-up and operation



**Dimensions**  
mm in blue

Pump	A	B	C	D	E	Inlet	Outlet
XL 750	81.5 2070	49 1244	47.3 1200	20.5 520	5.1 130	10 in. FLG. 250mm FLG.	8 in. FLG. 200mm FLG.

All dimensions are approximate

**Basic specifications**

Vacuum range	0-28.5 in Hg Vac. to 50 mbar abs.
Mechanical seals*	Single or double cartridge
Differential pressure capability	30 psi 2 bar
Hydrotest pressure	150 psig / 11 bar abs. standard (225 psig / 16 bar abs. optional)
Construction material	Ductile iron, stainless steel

\* Packing is supplied as standard.  
Mechanical seals are optional.

Gardner Denver Nash

9 Trefoil Drive, Trumbull, CT 06611 · phone: +1 800 553 NASH · fax: +1 203 459 3988 · email: nash@gardnerdenver.com  
GDNash.com